

# **PAMS Technical Documentation**

## **NS\*- 1/3 Series Transceivers**

# **Non Serviceable Accessories**

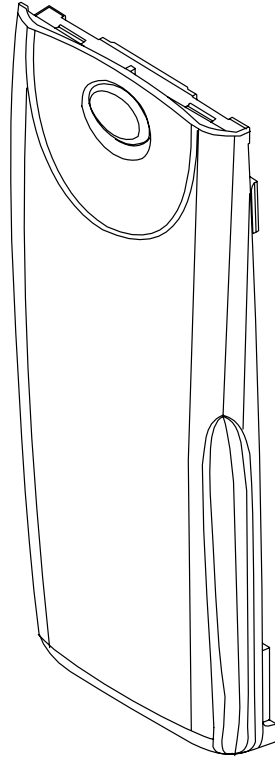
**CONTENTS**

	<b>Page No</b>
Slim Battery BLS-2 .....	NS-4
Product Code .....	NS-4
Standard Battery BMS-2 .....	NS-5
Product Code .....	NS-5
Standard Battery BMS-2S .....	NS-6
Product Code .....	NS-6
Vibrator Battery BMS-2V .....	NS-7
Product Code .....	NS-7
Slim Battery BLS-2H .....	NS-8
Product Code .....	NS-8
Extended Battery BLS-4 .....	NS-9
Product Code .....	NS-9
AC Travel Charger ACP-7 .....	NS-10
Product Codes .....	NS-10
Specification .....	NS-10
Performance Travel Charger ACP-8 .....	NS-11
Product Codes .....	NS-11
Specification .....	NS-11
Fast Travel Charger ACP-9 .....	NS-12
Product Codes .....	NS-12
Specification .....	NS-12
Cigarette Lighter Charger LCH-9 .....	NS-13
Product Code .....	NS-13
Specification .....	NS-13
Desktop Stand DCH-9 .....	NS-14
Product Code .....	NS-14
Specification .....	NS-14
Desktop Stand DCH-8 .....	NS-15
Product Code .....	NS-15
Specification .....	NS-15
Mobile Holder MBC-1 .....	NS-16
Product Code .....	NS-16
Mobile Holder MCC-1 .....	NS-17
Product Code .....	NS-17
Power Cable PCH-4J .....	NS-18
Product Code .....	NS-18
Handsfree Microphone HFM-8 .....	NS-18
Product Code .....	NS-18
Handsfree Speaker HFS-12 .....	NS-19
Product Code .....	NS-19
Mounting Plate MKU-1 .....	NS-20
Product Code .....	NS-20
Swivel Mount HHS-9 .....	NS-20

Product Code .....	NS-20
Headset HDC-9 .....	NS-21
Product Code .....	NS-21
Headset HDC-9P .....	NS-22
Product Code .....	NS-22
Belt Clip BCH-12 .....	NS-23
Product Code .....	NS-23
External Antenna Cable XRC-1 .....	NS-23
Product Code .....	NS-23
External Antenna Cable XRC-2 .....	NS-24
Product Code .....	NS-24
Data Adapter Cable DAC-2 .....	NS-24
Product Code .....	NS-24
Analog Data Adapter Cable DAR-3 .....	NS-25
Product Code .....	NS-25
Data Adapter Cable DLR-3 .....	NS-25
Product Code .....	NS-25

## Slim Battery BLS-2

The BLS-2 is a Li-ion light battery with 900 mAh capacity.



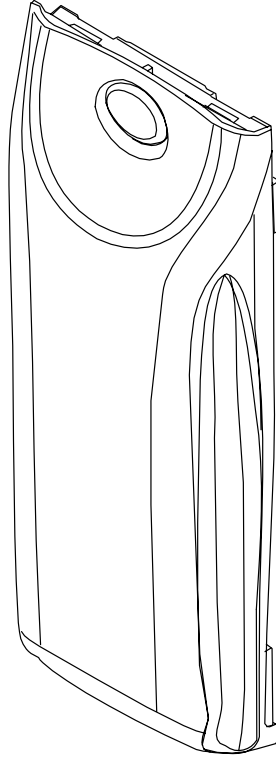
### Product Code

Battery pack BLS-2:

0670206

## Standard Battery BMS-2

The BMS-2 is a NiMH battery with 900 mAh capacity.



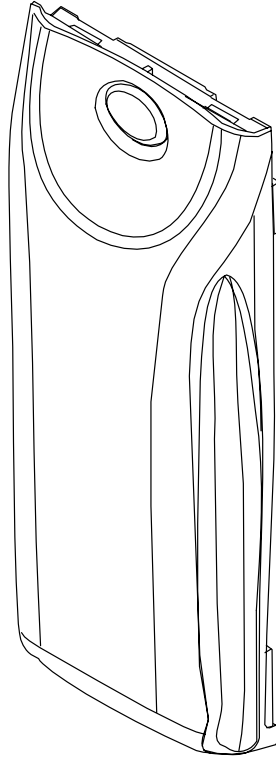
### Product Code

Battery pack BMS-2:

0670203

## Standard Battery BMS-2S

The BMS-2S is a NiMH battery with 900 mAh capacity. Slimmer than BMS-2.



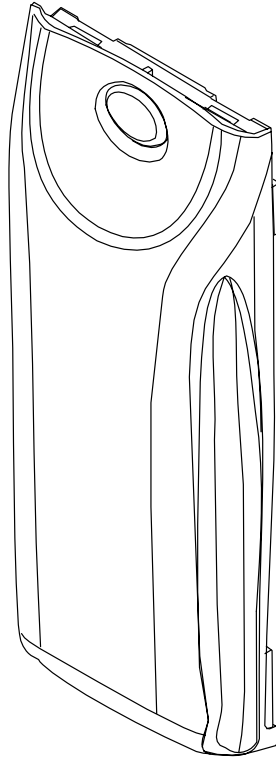
### Product Code

Battery pack BMS-2S:

0670225

## Vibrator Battery BMS-2V

The BMS-2V is a NiMH battery with 900 mAh capacity and vibrator.



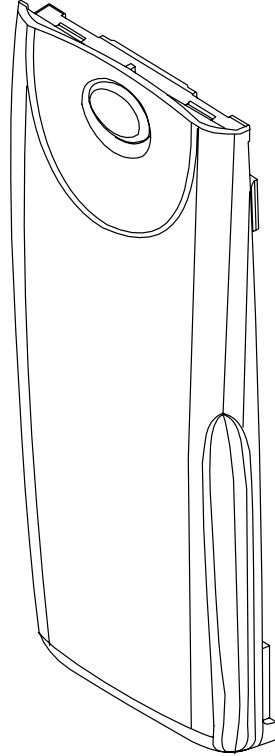
### Product Code

Battery pack BMS-2V:

0670204

## Slim Battery BLS-2H

The BLS-2H is a Li-ion light battery with 1000 mAh capacity.



### Product Code

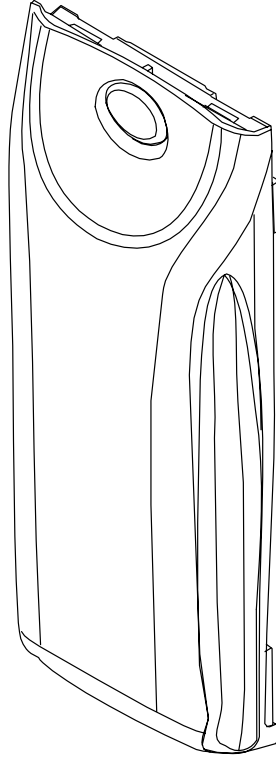
Battery pack BLS-2H:

0670235



## Extended Battery BLS-4

The BLS-4 is a Li-ion battery with 1500 mAh capacity.



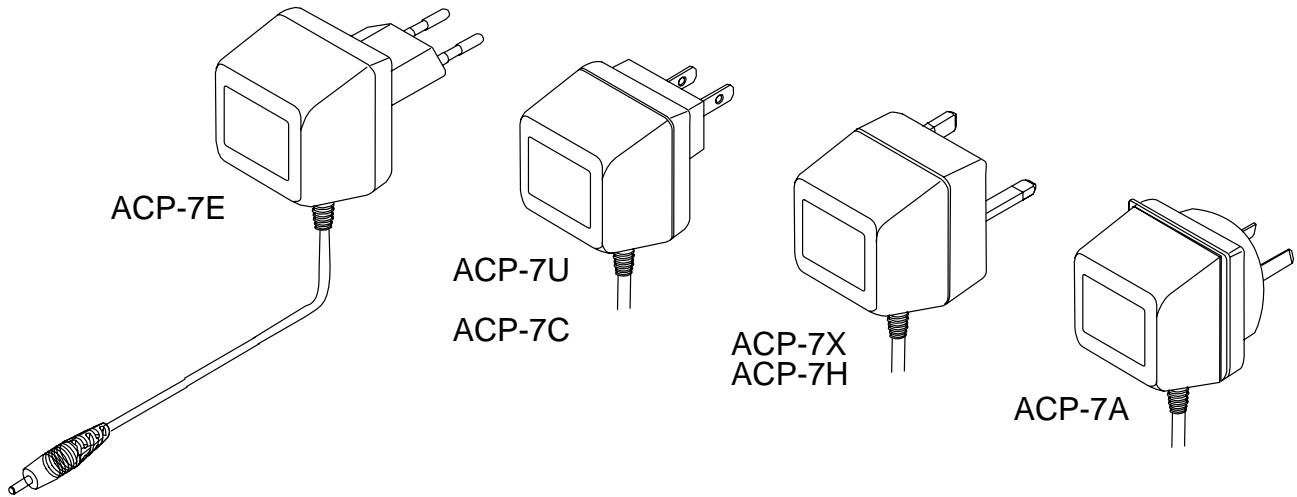
### Product Code

Battery pack BLS-4:

*0670207*

## AC Travel Charger ACP-7

The standard charger is available for different voltage levels and comes with different wall plugs. The standard charger can also be used as a power supply for the basic stand and desktop stand.



S0001160

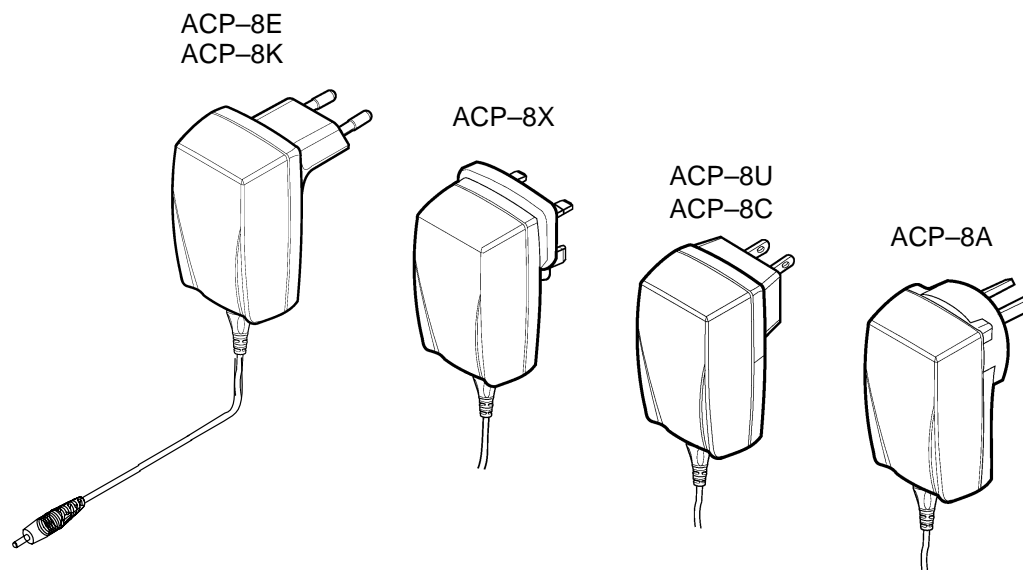
### Product Codes

AC Travel Charger (Euro plug) 207-253 Vac	ACP-7E	0675144
AC Travel Charger (US plug) 108-132 Vac	ACP-7U	0675143
AC Travel Charger (US plug) 198-242 Vac	ACP-7C	0675158
AC Travel Charger (UK plug) 207-253 Vac	ACP-7X	0675145
AC Travel Charger (UK plug) 180-220 Vac	ACP-7H	0675146
AC Travel Charger (Australia) 216-264 Vac	ACP-7A	0675148

### Specification

Output connectors:	3.5 mm DC plug, 2-pole
Protection:	PTC protection
Output Voltage /Current (typ)	7.6 V / 370 mA

## Performance Travel Charger ACP-8



### Product Codes

Performance Travel Charger Euro plug 90-264 Vac	ACP-8E	0675195
Performance Travel Charger Korea plug 90-264 Vac	ACP-8K	0675199
Performance Travel Charger UK plug 90-264 Vac	ACP-8X	0675197
Performance Travel Charger US plug 90-264 Vac	ACP-8U	0675196
Performance Travel Charger China plug 90-264 Vac	ACP-8C	0675211
Performance Travel Charger Australia plug 90-264 Vac	ACP-8A	0675214

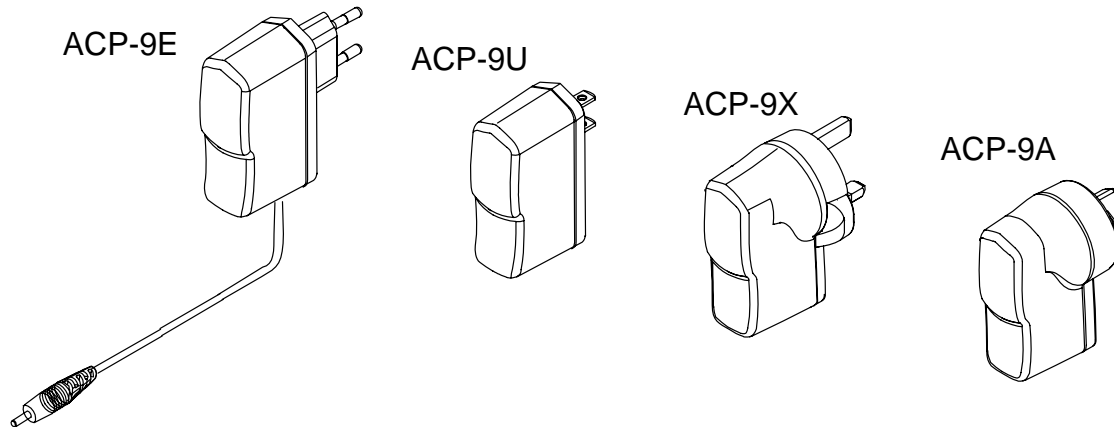
### Specification

Dimensions:	70 x 40 x 56 mm
Weight:	75+35 (cable)g
Output Voltage:	6.0V + 0.3V/-0.7V
Input Voltage:	90 to 264VAC 50/60 Hz
Charging Time:	2h 30min for BML-3

## Fast Travel Charger ACP-9

Operating within the voltage range 90 V...264 V AC (50 Hz...60 Hz), the Fast Travel Charger is practically current independent in normal office and household use. Like the standard charger, it is compatible with all battery options and is available for different wall sockets.

The Fast Travel Charger can also be used with basic stand and desktop stand.



### Product Codes

Fast Travel Charger (Euro plug) 90-264 Vac	ACP-9E	0675149
Fast Travel Charger (US plug) 90-264 Vac	ACP-9U	0675151
Fast Travel Charger (UK plug) 90-264 Vac	ACP-9X	0675150
Fast Travel Charger (Australia) 90-264 Vac	ACP-9A	0675152
Output cable PCC-1 (supplied with ACP-9):		0730076

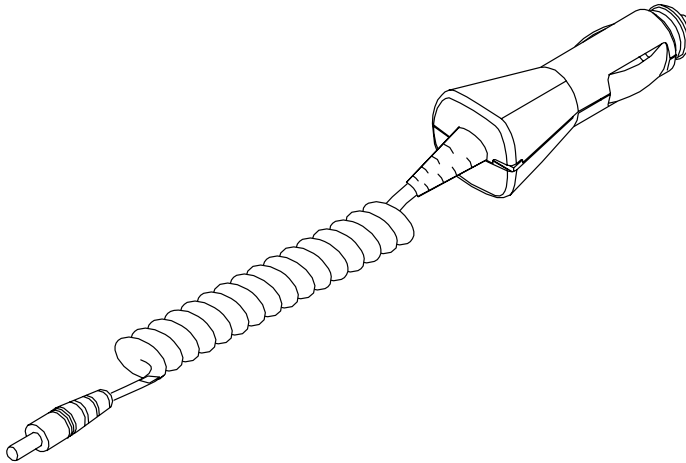
### Specification

Output connectors:	<i>3.5 mm DC plug, 3-pole (+, -, control)</i>
Protection:	<i>output current limiting, max. 850 mA</i> <i>output voltage limiting, max. 9.3 V (unloaded)</i>
Output voltage/current (typ):	<i>8.4 V / 800 mA</i>

## Cigarette Lighter Charger LCH-9

A green light indicates that the cigarette lighter charger is ready for charging. Check the charging status on the phone display. The input voltage can be from 11 or 32 V d.c., negative grounding.

Universal mobile charger can be used with all car accessories provided for your phone.



### Product Code

Universal mobile charger LCH-9: 0657120

### Specification

#### Connectors

- input: *D 21/23 mm*
- output: *3.5 mm DC plug*

Protection: *input fused, output current limit 850 mA*

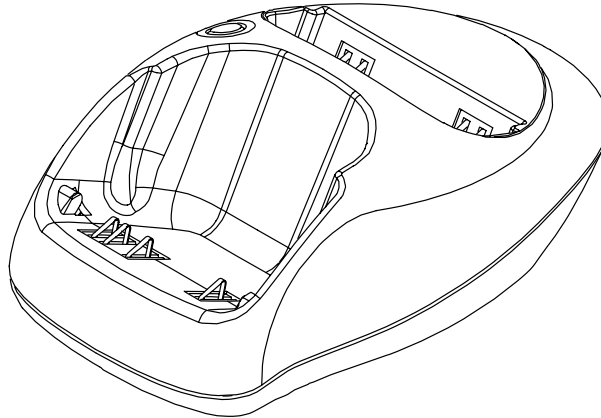
#### Voltage

- input: *11...32 V*
- output (nominal): *8.4 V*

Nominal output current: *800 mA*

## Desktop Stand DCH-9

The desktop stand provides mounting place for both the phone and a spare battery.



### Product Code

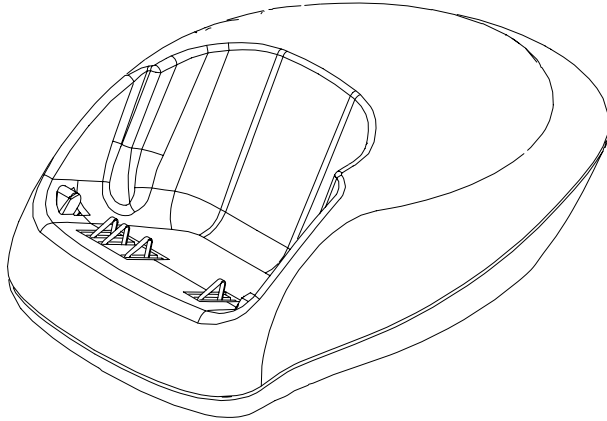
Basic stand DCH-9: 0700049

### Specification

Connections: 3.5 mm DC jack  
Charge control: MCU control for spare battery charging  
Operation input voltage: 9... 16 V

## Desktop Stand DCH-8

The desktop stand provides mounting place for both the phone only.



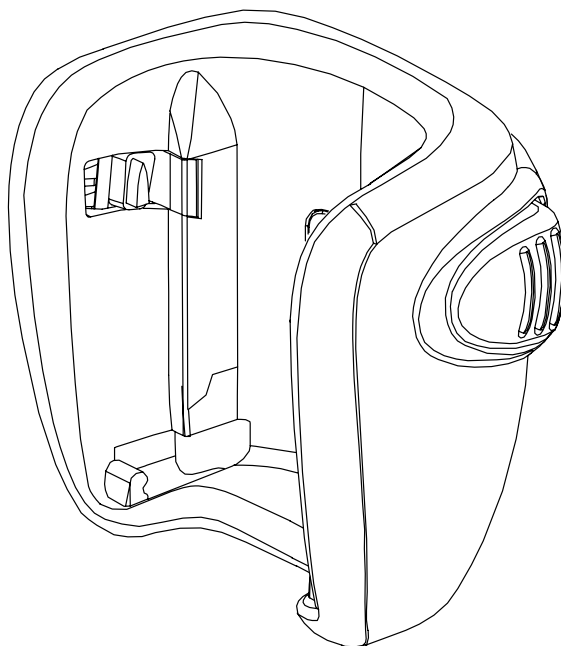
### Product Code

Basic stand DCH-8: 0675179

### Specification

Connections: 3.5 mm DC jack  
Operation input voltage: 9...16 V

## Mobile Holder MBC-1



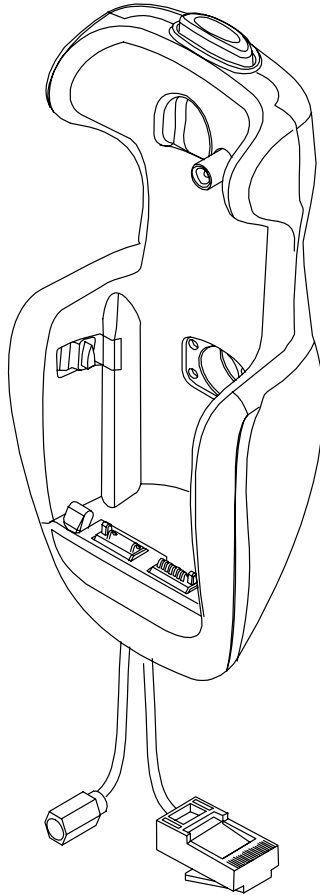
### Product Code

Mobile holder MBC-1:

0700060



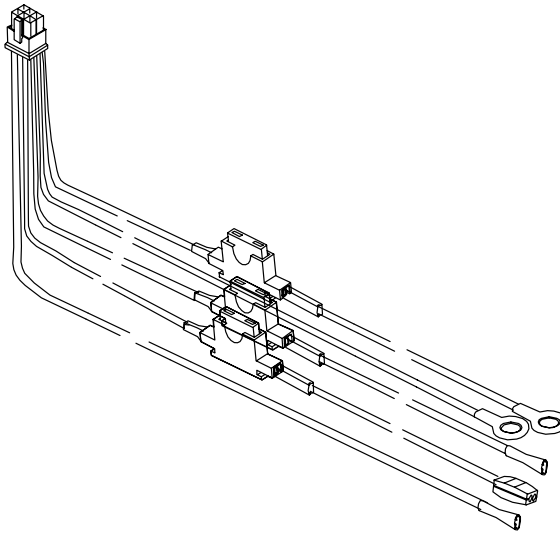
## Mobile Holder MCC-1



### Product Code

Mobile holder MCC-1:            *0620043*

## Power Cable PCH-4J



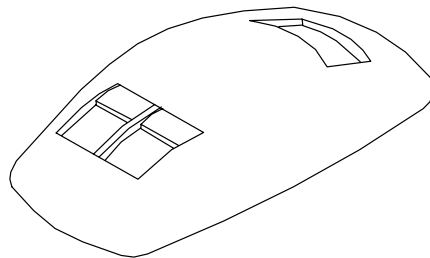
### Product Code

Power cable PCH-4J:

*0730055*

## Handsfree Microphone HFM-8

The HFM-8 microphone forms part of compact handsfree unit.

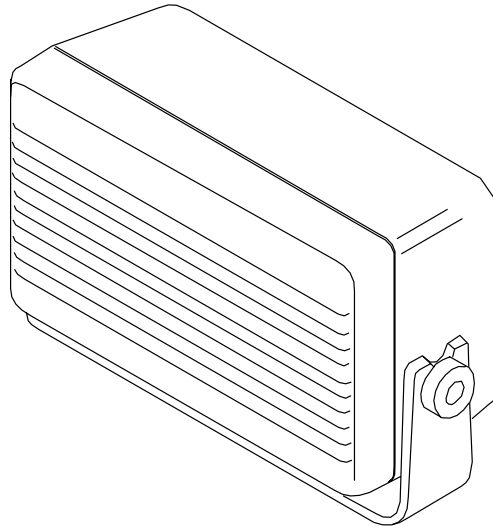


### Product Code

Handsfree microphone HFM-8: *0690016*

## Handsfree Speaker HFS-12

The HFS-12 speaker forms part of compact handsfree unit.

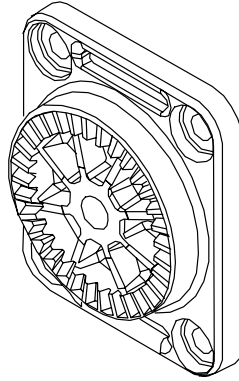


### Product Code

Handsfree Speaker HFS-12: 0692008

## Mounting Plate MKU-1

The MKU-1 mounting plate provides a method of fixing the phone holder, the compact handsfree unit or the handset to the vehicle interior.



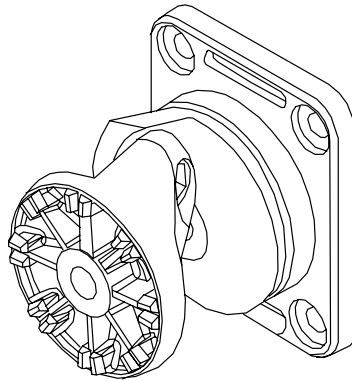
### Product Code

Mounting plate MKU-1:

*0620036*

## Swivel Mount HHS-9

The HHS-9 swivel mounting plate provides an alternative (to MKU-1) method of locating the phone holder, the handsfree unit ,or the handset.

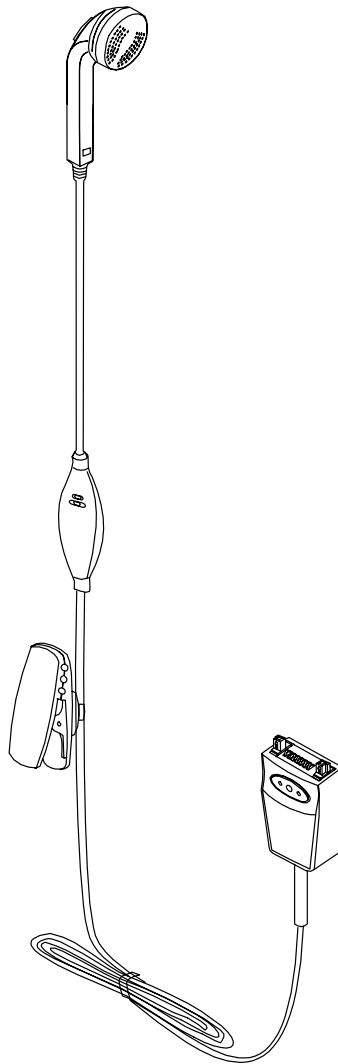


### Product Code

Swivel mounting plate HHS-9:

*0620037*

## Headset HDC-9



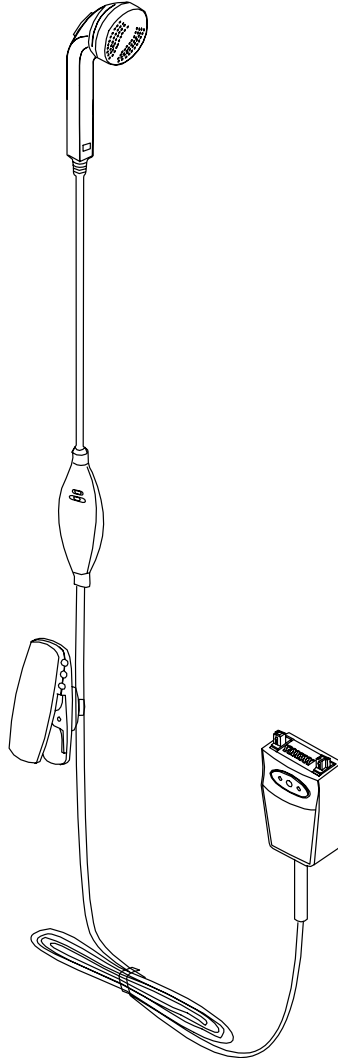
### Product Code

Headset HDC-9:

0694053

## Headset HDC-9P

The HDC-9P headset features a lower connector.

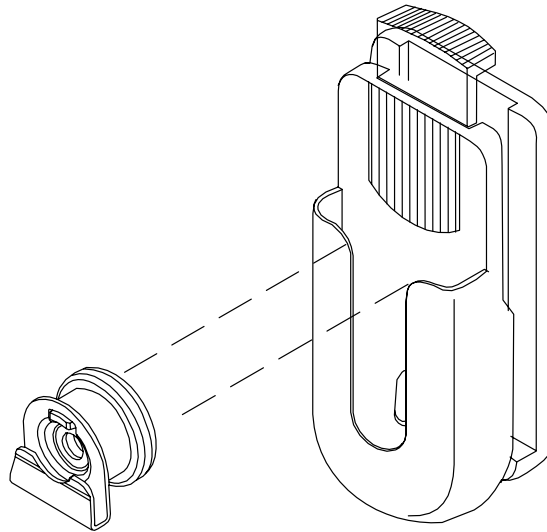


### Product Code

Headset HDC-9P:

0694063

## Belt Clip BCH-12



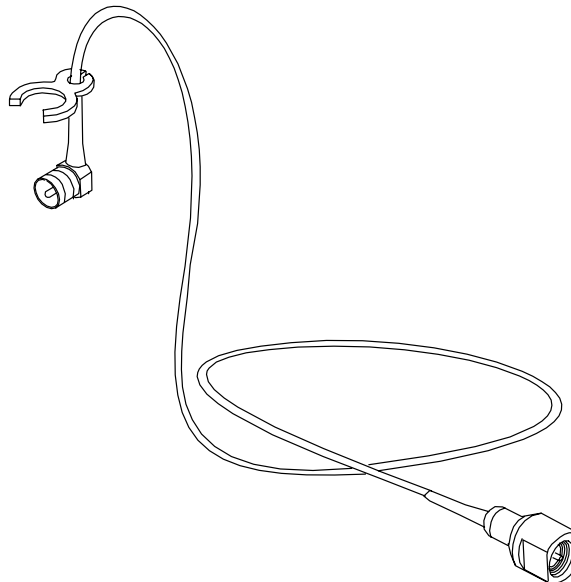
### Product Code

Belt Clip BCH-12:

0720098

## External Antenna Cable XRC-1

The External Antenna Cable is used to connect the phone to an external antenna.



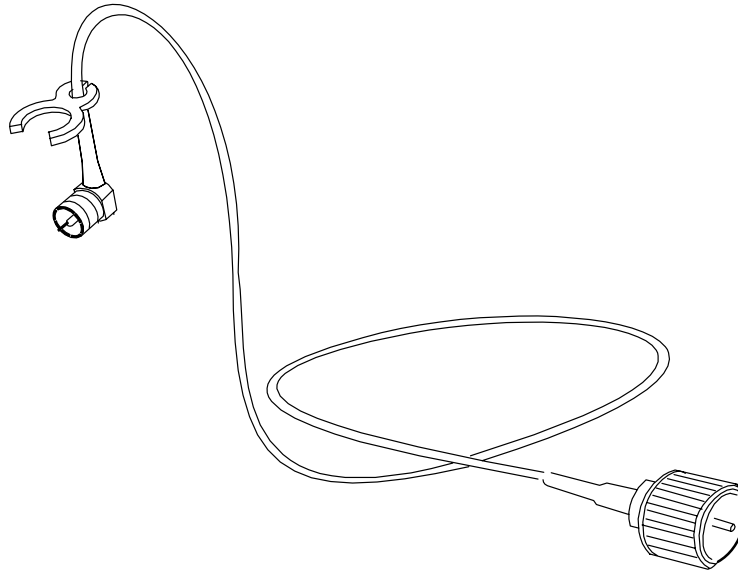
### Product Code

External Antennacable XRC-1:

0730103

## External Antenna Cable XRC-2

XRC-2 is a modular cable with N connector for RF measurements.



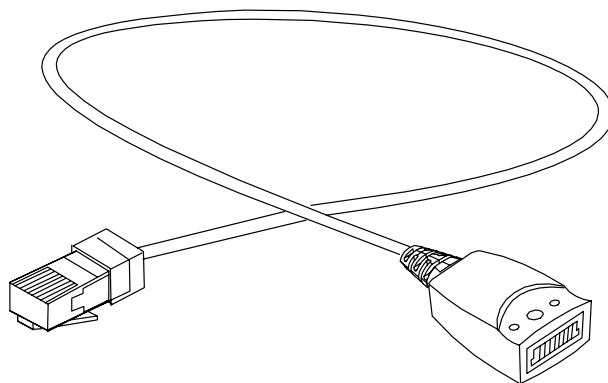
### Product Code

External Antenna cable XRC-2:                      0730180

## Data Adapter Cable DAC-2

Data Adapter Cable DAC-2 is used with the Advanced Car Kit.

*NOTE: Not used with NSC/W-3*



### Product Code

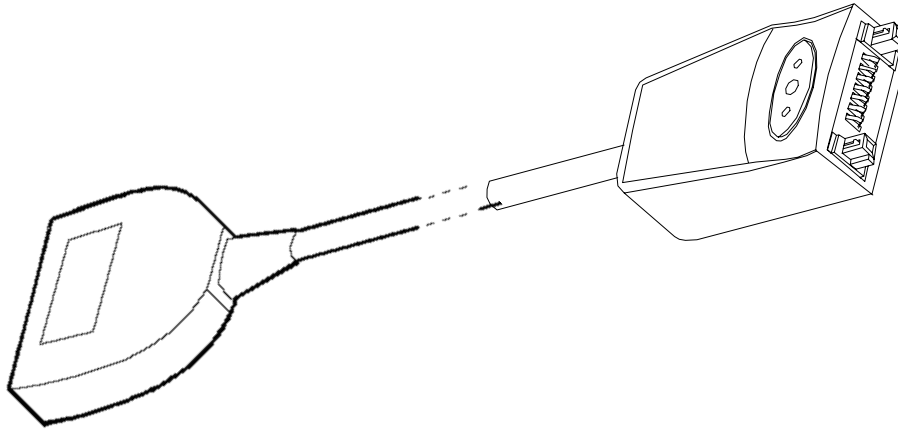
Data Adapter Cable DAC-2:                      0720100



## Analog Data Adapter Cable DAR-3

The Analog Data Adapter Cable is used with phone and modem.

*NOTE: Used with NSC/W-3*

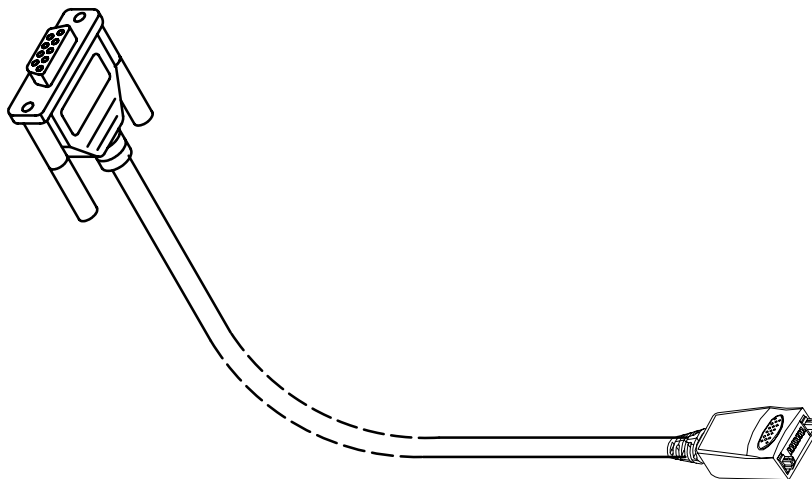


### Product Code

Analog Data Adapter Cable DAR-3:

0730140

## RS232 Adapter Cable DLR-3



### Product Code

RS232 Adapter Cable DLR-3:

0730156

This page intentionally left blank.